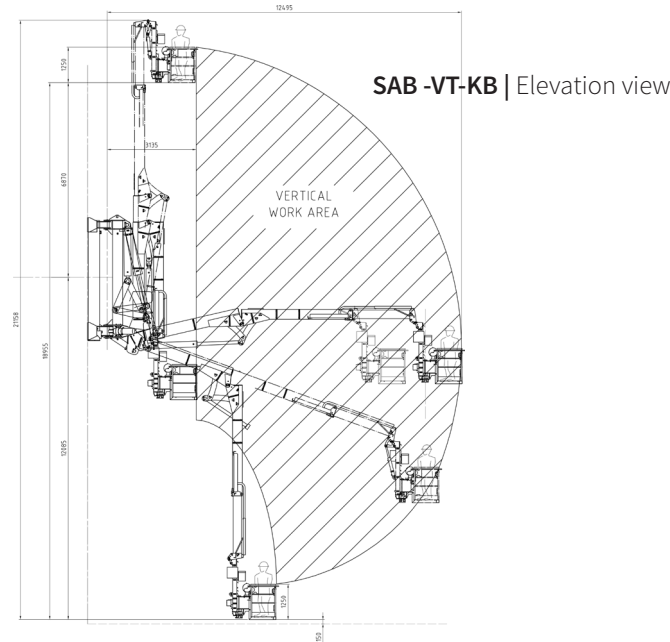
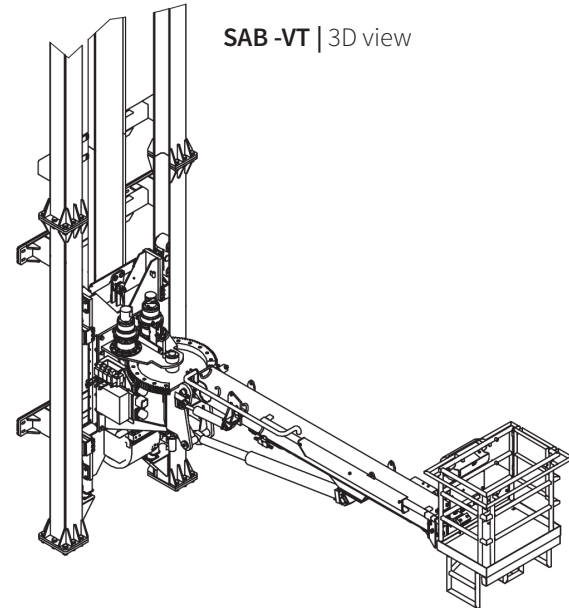


Features and benefits

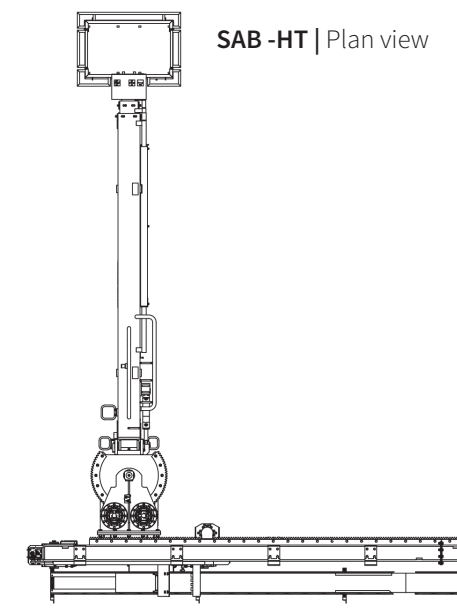
Our service and access baskets are designed to be compatible with a variety of applications by utilizing several different mounting, travel, boom, and basket slew options. We provide fit for purpose solutions to make maintenance on your assets safer and more convenient.

- Vertical rail system designed to provide access to the drillfloor, top drive, and column racker upper bridge/trolley
- Horizontal rail system designed for end-to-end access of the moonpool area
- Knuckleboom model uses compound motion to achieve a smaller footprint and is suited for navigating tighter spaces on the drillfloor
- Kingpost pedestal installation on the x-mas tree skid provides access to the BOP while in the moonpool or the x-mas tree
- Baskets can be mounted to your existing substructure or derrick using stationary adapter plates
- Basket slew options provide added versatility
- All baskets are rated for Zone 1 compliance
- ABS or DNV notation available for each model

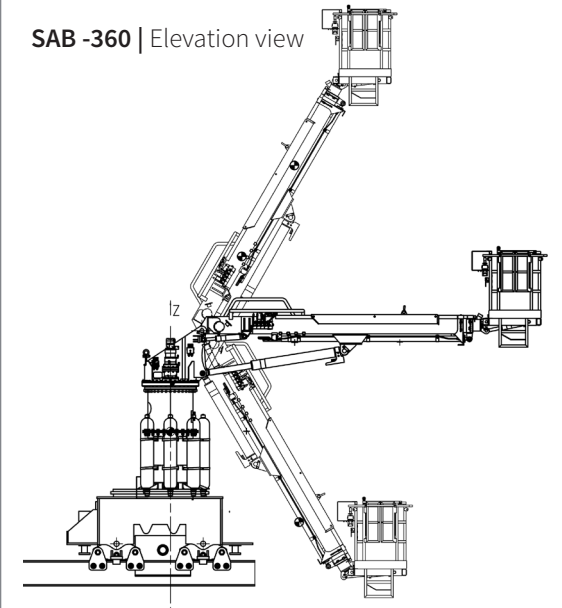
Vertical Rail



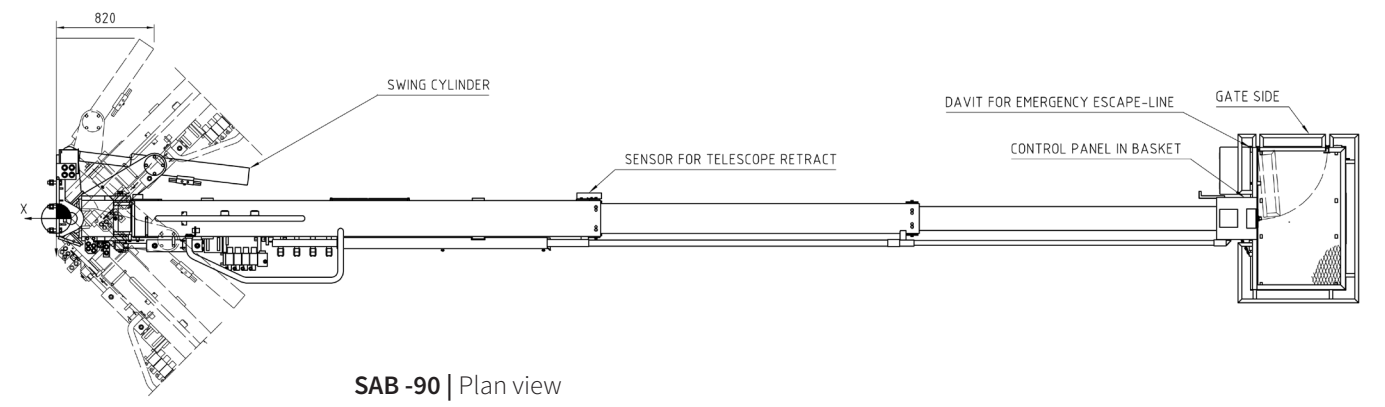
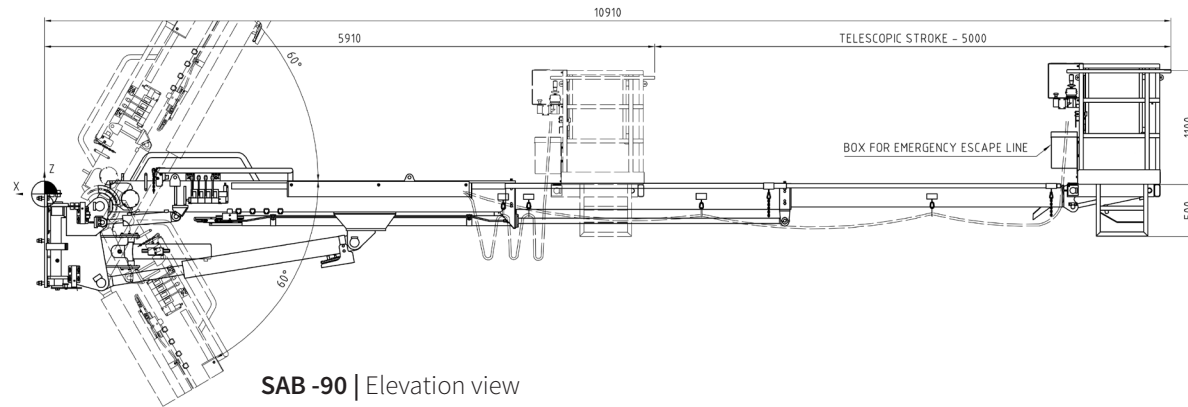
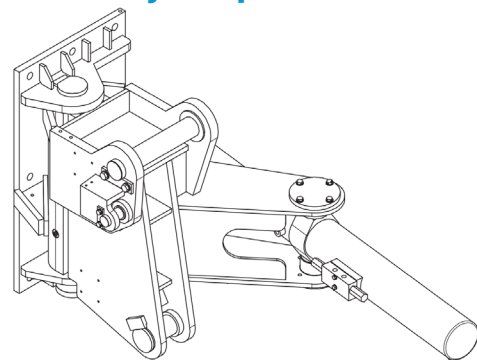
Horizontal Rail



Kingpost Pedestal



Stationary Adapter Plate



SAB -90/SAB -180 | Stationary Adapter Plate

	SAB-90	SAB-180	SAB-360	SAB-HT	SAB-VT	SAB-VT-KB
Area Classification	Zone 1	Zone 1	Zone 1	Zone 1	Zone 1	Zone 1
Design Temperature	-20 °C to +45 °C	-20 °C to +50 °C	-20 °C to +45 °C	-20 °C to +45 °C	-20 °C to +45 °C	-20 °C to +45 °C
Operation Temperature	-20 °C to +45 °C	-20 °C to +50 °C	-20 °C to +45 °C	-20 °C to +45 °C	-20 °C to +45 °C	-10 °C to +45 °C
SWL, Basket	300 kg	300 kg	300 kg	300 kg	300 kg	300 kg
SWL, Davit for Safety Work Harness	140 kg	140 kg	140 kg	140 kg	140 kg	140 kg
Hydraulic Flow Rate (Max)	75 l/min	75 l/min	75 l/min	75 l/min	145 l/min	200 l/min
Hydraulic Operating Pressure (Min)	180 barg	180 barg	180 barg	180 barg	180 barg	180 barg
Hydraulic Operating Pressure (Max)	207 barg	207 barg	207 barg	207 barg	207 barg	207 barg
Equipment Shipment Size (L x W x H) (SAB placed in transport frame)	5900 mm x 1500 mm x 2000 mm	7100 mm x 1500 mm x 2000 mm	7100 mm x 1500 mm x 1800 mm	7500 mm x 1500 mm x 1900 mm	6600 mm x 1460 mm x 1890 mm	15,500 mm x 2300 mm x 3000 mm
Weight, SAB, dry	2700 kg	3620 kg	4800 kg excluding trolley	6400 kg excluding rails and battery	6480 kg excluding rails and battery	14000 kg
Swing Drive	Swing by cylinder	Swing by gear	Swing by gear	Swing by gear	Swing by gear	Swing by gear
Swing Motion	± 48°	± 90°	± 180°	± 90°	± 90°	± 90°
Tilt Motion	± 60°	± 60°	± 60°	± 60°	± 60°	120° boom /180° knuckle
Max Outreach	10.9 m	13 m	11.5 m	13 m	10.7 m	13.1 m
Boom Telescope Stroke	5 m	6 m	5 m	6 m	5 m	2 m
Vertical Travel	-	-	-	-	Designed for application	Designed for application
Horizontal Travel	-	-	-	Designed for application	-	-
Basket Slew Option	Yes	Yes	No	Yes	Yes	Yes
Certifying Authority	ABS or DNV	ABS or DNV	ABS or DNV	ABS or DNV	ABS or DNV	ABS or DNV
Mounting Interface	Stationary adapter plate	Stationary adapter plate	Kingpost pedestal	Horizontal rail	Vertical rail	Vertical rail